

Suitable for matching high impedance outputs (amplifier) to speech coils

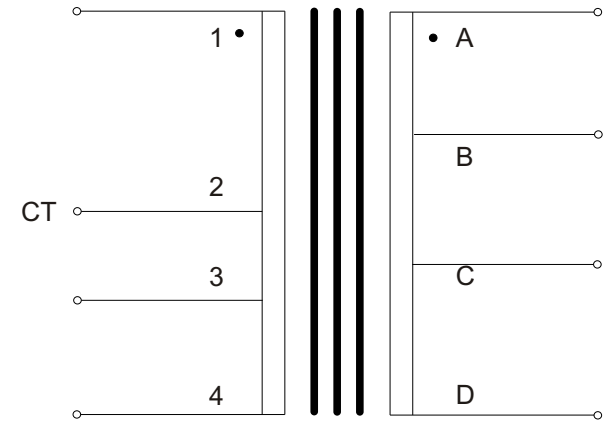
Electrical specification

Maximum output power: 3.5W
Maximum input current: 40mADC

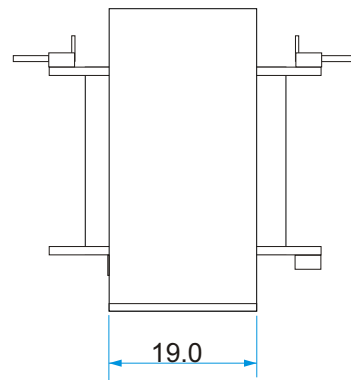
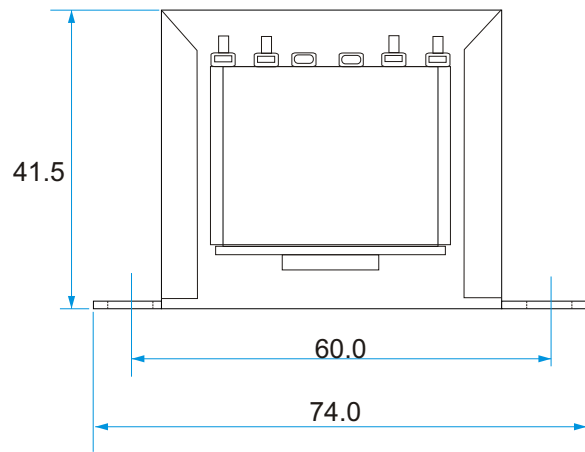
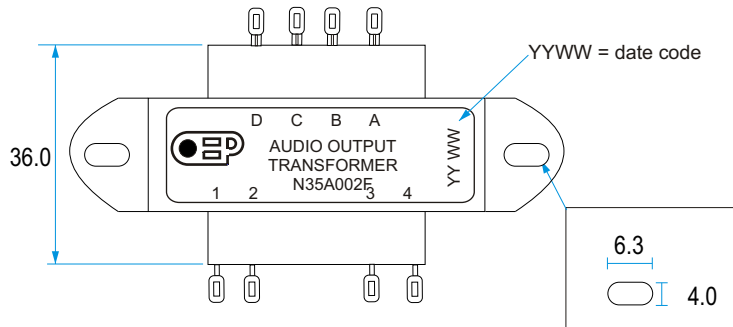
Leakage inductance @ 1kHz, 0.1V:
(1 - 4): 115mH typ. (Terminals A - D S/C)

Interwinding capacitance @ 20kHz, 0.1V:
(1 - 4) to (A - D): 300pF typ.

Isolation:
Primary to Secondary: 2kVAC

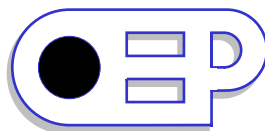


Schematic



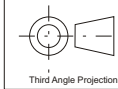
PRIMARY				SECONDARY			
Impedance (k)	Terminals	DCR () +/-15%	OCL (H) (typical)	Impedance ()	Terminals	DCR () +/-15%	Graph
13 - 15	1 - 4	937	24	3 - 4	C - D		4
10 - 12	1 - 4			3 - 4	C - A	0.77	4
8 - 9	1 - 3	688	13	3 - 4	C - D	0.70	4
6 - 7	1 - 4			3 - 4	D - B	1.03	4
13 - 15	1 - 4			8	D - B		2
8 - 9	1 - 3			8	D - B		2
6 - 7	1 - 4			8	D - A	1.47	1
13 - 15	1 - 4			15	D - A		3
4 - 5	1 - 3			8	D - A		1
6 - 7	1 - 3			15	D - A		3
4 - 5	2 - 4	484	1.5	15	D - A		3

OCL=open circuit inductance measured at 1kHz, 0.1V

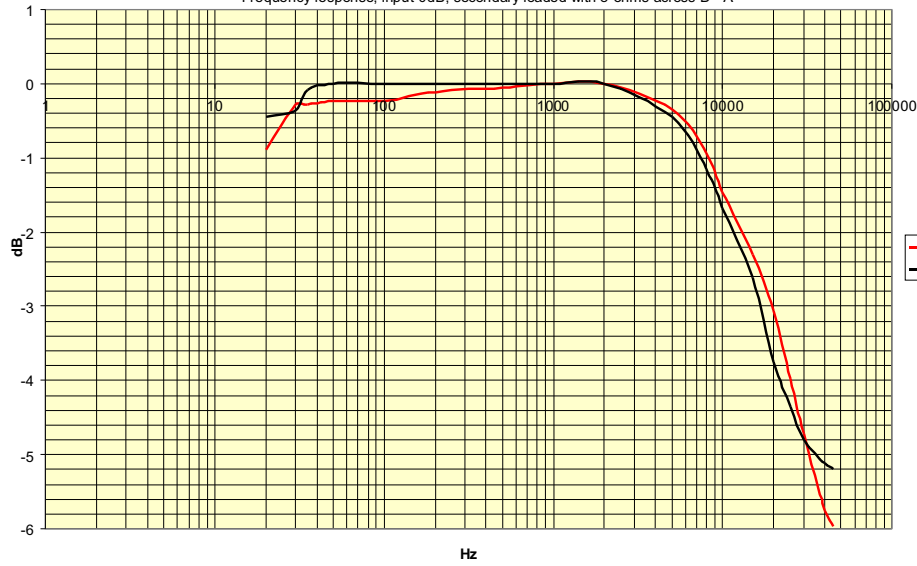


Walters Group Holdings Ltd.
Unit 5, Oxonian Park, Langford Locks,
Kidlington, Oxfordshire. OX5 1FP
Tel: (01865) 855085 Fax: (01865) 855075
Website: www.oep.co.uk

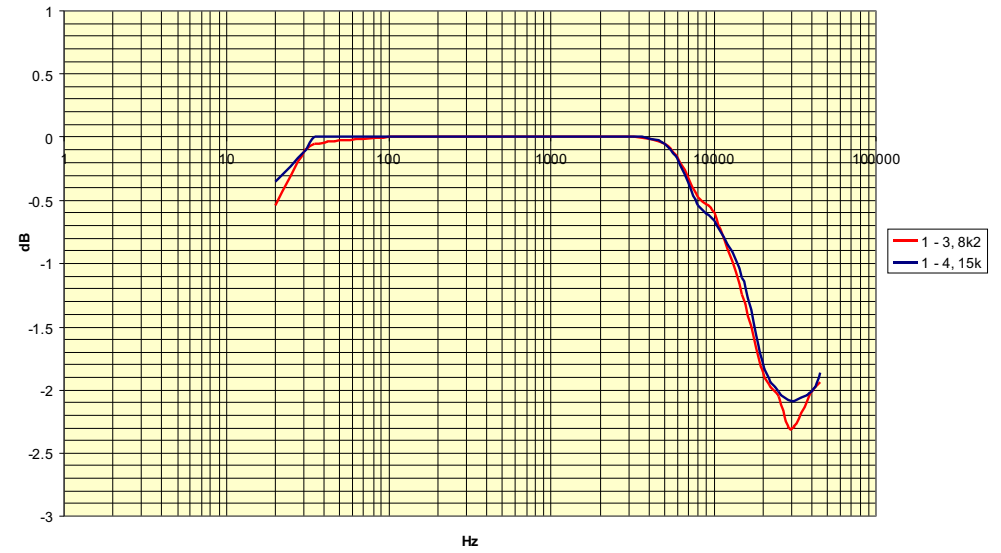
DESCRIPTION	ISSUE	DATE	DRAWN	CHECKED	DRAWING NUMBER
Specification for N35A002F page 1 of 2	1	28/07/99	CS		N35A002F
	3	21/01/08	CS		
	4	26/03/12	CS		
	5	19/09/13	CS		
	Scale: nts	All dimensions in mm unless stated otherwise			



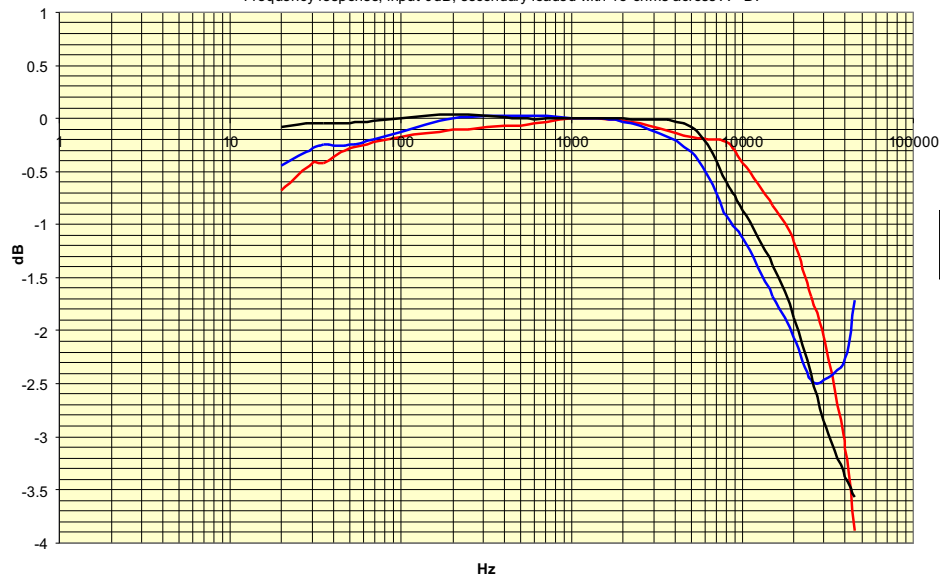
1. Frequency response, input 0dB, secondary loaded with 8 ohms across D - A



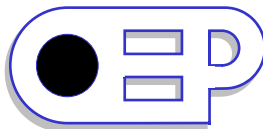
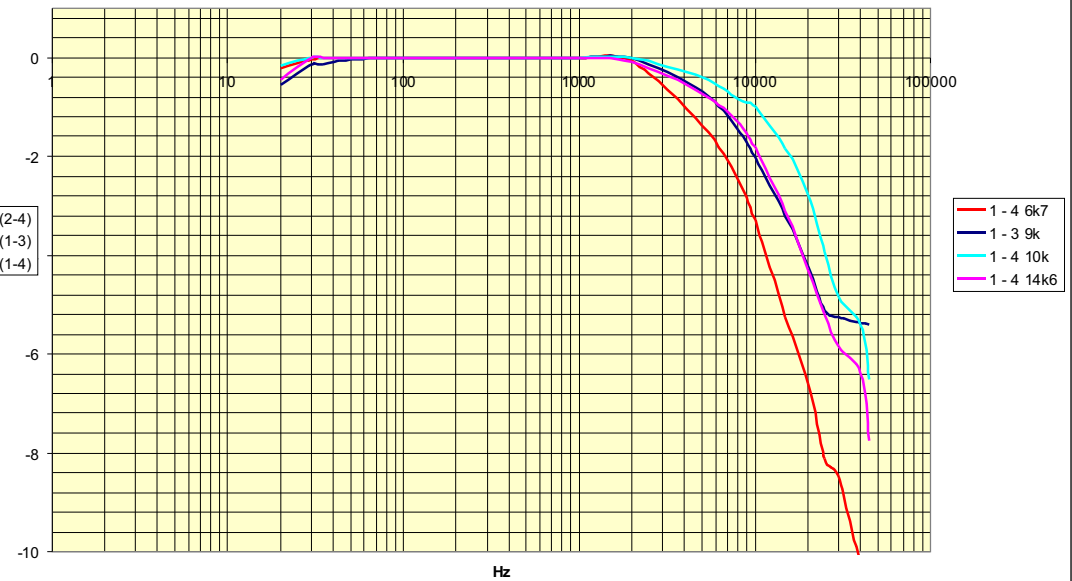
2. Frequency response, input 0dB, secondary loaded with 8 ohms across D - B



3. Frequency response, input 0dB, secondary loaded with 15 ohms across A - D.



4. Frequency response, input 0dB, secondary loaded with 4 ohms.



Walters Group Holdings Ltd.
 Unit 5, Oxonian Park, Langford Locks,
 Kidlington, Oxfordshire. OX5 1FP
 Tel: (01865) 855085 Fax: (01865) 855075
 Website: www.oep.co.uk

DESCRIPTION	ISSUE	DATE	DRAWN	CHECKED	DRAWING NUMBER
Specification for N35A002F page 2 of 2	1	28/07/99	CS		N35A002F
	3	21/01/08	CS		
	4	26/03/12	CS		
	5	19/09/13	CS		
	Scale: nts	All dimensions in mm unless stated otherwise			